

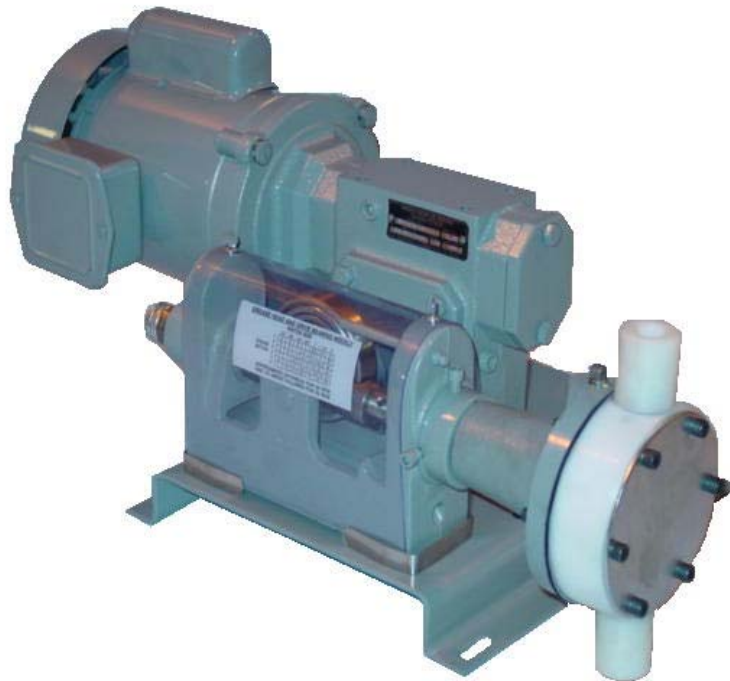
The V-10-H Chemical Metering Pump

GENERAL INFORMATION

The V-10-H is a reciprocating plunger, positive displacement chemical metering pump. It differs from a piston pump in that the piston is separated from the chemical by a diaphragm. The reciprocating piston displaces oil and the oil flexes the diaphragm and the diaphragm moves the chemical. It is ideal for use in chemical feed to cooling towers and related applications where a controlled volume of extremely corrosive chemical treatment is required.

CONSTRUCTION

The V-10-H is designed for trouble free operation with a minimum of maintenance. Precision inline boring of the base casting insures exact alignment of the drive mechanism and the piston head assembly, minimizing wear. The drive mechanism is a heavy duty speed reducer, available in a number of ratios. Any 56C frame motor can be mounted on the heavy duty speed reducer making it easy to match the V-10-H pump to special environments or electrical characteristics. The V-10-H pump head is precision machined and has a ground and polished piston and ceramic ball check valves on the inlet and outlet. The pump head comes standard in polyethylene but is available in PVC and various grades of stainless steel. V-10-H pump heads are available in numerous piston sizes from 5/8" to 2" to cover various pumping ranges and all are interchangeable on the same pump base casting. The pump is also available with multiple heads



V-5-H & V-10-H PUMP HEAD MAXIMUM CAPACITIES

MAXIMUM FULL STROKE OUTPUT PER PUMP HEAD SIZE AT VARIOUS STROKE RATES
 VALUES BASED ON WATER
 MINIMUM RECOMMENDED STROKE SETTING IS 20% OF MAXIMUM

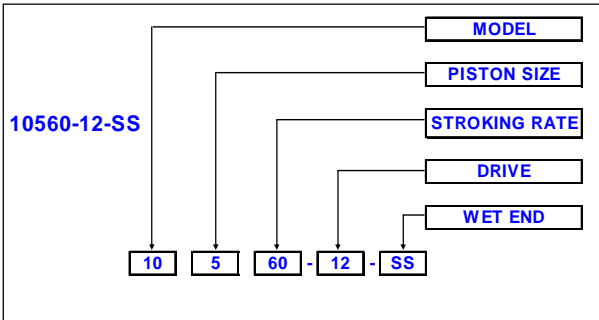
5/8" DIA PISTON		100 PSI MAX		
STROKE RATE	FULL STROKE OUTPUT			
	ML/MIN	GPH	GPD	
01	6	0.1	2.4	
06	36	0.6	14.4	
12	72	1.2	28.8	
18	108	1.8	43.2	
30	180	3	72	
60	360	6	144	

1 1/2" DIA PISTON		100 PSI MAX		
STROKE RATE	FULL STROKE OUTPUT			
	ML/MIN	GPH	GPD	
01	30	0.5	12	
06	180	3	72	
12	360	6	144	
18	540	9	216	
30	900	15	360	
60	1800	30	720	

1" DIA PISTON		100 PSI MAX		
STROKE RATE	FULL STROKE OUTPUT			
	ML/MIN	GPH	GPD	
01	15	0.25	6	
06	90	1.5	36	
12	180	3	72	
18	270	4	96	
30	450	7	168	
60	900	14	336	

2" DIA PISTON		100 PSI MAX		
STROKE RATE	FULL STROKE OUTPUT			
	ML/MIN	GPH	GPD	
01	60	1	24	
06	360	6	144	
12	720	12	288	
18	1080	18	432	
30	1800	30	720	
60	3600	60	1440	

V-5-H & V-10-H PUMP MODEL NUMBERS



MAXIMUM FULL STROKE OUTPUT PER PUMP HEAD SIZE AT VARIOUS STROKE RATES VALUES BASED ON WATER
MINIMUM RECOMMENDED STROKE SETTING IS 20% OF MAXIMUM

MODEL

10	SIMPLEX-SINGLE DRIVE TO ONE PUMP HEAD
20	DUPLEX-SINGLE DRIVE TO TWO PUMP HEADS
30	TRIPLEX-SINGLE DRIVE TO THREE PUMP HEADS
40	QUAD-SINGLE DRIVE TO FOUR PUMP HEADS

PISTON SIZE

5	5/8" DIAMETER
7	1 1/2" DIAMETER
8	1" DIAMETER
9	2" DIAMETER

STROKING RATE

60	SIXTY STROKES PER MINUTE
30	THIRTY STROKES PER MINUTE
18	EIGHTEEN STROKES PER MINUTE
12	TWELVE STROKES PER MINUTE
06	SIX STROKES PER MINUTE
01	ONE STROKE PER MINUTE

DRIVE

00	LESS ANY DRIVE AND BASEPLATE	NO DRIVE
0CD	LESS MOTOR (COUPLING DRIVE CONFIGURATION)	COUPLING DRIVE
0FM	LESS MOTOR (FLANGE MOUNT CONFIGURATION)	FLANGE MOUNT
3	1/2 HP 120/240 VAC EXPLOSION PROOF FAN COOLED	COUPLING DRIVE
4	1/2 HP 90 VDC TOTALLY ENCLOSED FAN COOLED	COUPLING DRIVE
6	1/2 HP 240/480 VAC EXPLOSION PROOF FAN COOLED	COUPLING DRIVE
7	1/2 HP 240/480 VAC TOTALLY ENCLOSED FAN COOLED	COUPLING DRIVE
8	1/2 HP 120/240 VAC TOTALLY ENCLOSED FAN COOLED	COUPLING DRIVE
12	1/4 HP 120/240 VAC TOTALLY ENCLOSED FAN COOLED	FLANGE MOUNT
12V	1/2 HP 120/240 VAC TOTALLY ENCLOSED FAN COOLED	FLANGE MOUNT
13	1/3 HP 120/240 VAC EXPLOSION PROOF FAN COOLED	FLANGE MOUNT
14	1/4 HP 90 VDC TOTALLY ENCLOSED NON-VENTILATED	FLANGE MOUNT
14V	1/2 HP 90 VDC TOTALLY ENCLOSED FAN COOLED	FLANGE MOUNT
15	1/4 HP 240/480 VAC TOTALLY ENCLOSED NON-VENTILATED	FLANGE MOUNT
15V	1/2 HP 240/480 VAC TOTALLY ENCLOSED FAN COOLED	FLANGE MOUNT
16	1/2 HP 240/480 VAC EXPLOSION PROOF FAN COOLED	FLANGE MOUNT
17	1/3 HP 575 VAC TOTALLY ENCLOSED FAN COOLED	FLANGE MOUNT
18	1/3 HP 115/230 VAC 50/60 HZ TOTALLY ENCLOSED FAN COOLED	FLANGE MOUNT
19	1/2 HP 240/480 VAC TOTALLY ENCLOSED NON-VENTILATED INVERTER DUTY	FLANGE MOUNT
20	1/2 HP 115/230 VAC TOTALLY ENCLOSED NON-VENTILATED SEVERE DUTY	FLANGE MOUNT

WET END

BLANK	CARBON STEEL
SS	303 STAINLESS STEEL
S6	316 STAINLESS STEEL
C20	ALLOY 20 STAINLESS STEEL
HC	ALLOY 276 STAINLESS STEEL

5/8" DIA PISTON 100 PSI MAX

STROKE RATE	FULL STROKE OUTPUT		
	ML/MIN	GPH	GPD
01	6	0.1	2.4
06	36	0.6	14.4
12	72	1.2	28.8
18	108	1.8	43.2
30	180	3	72
60	360	6	144

1" DIA PISTON 100 PSI MAX

STROKE RATE	FULL STROKE OUTPUT		
	ML/MIN	GPH	GPD
01	15	0.25	6
06	90	1.5	36
12	180	3	72
18	270	4	96
30	450	7	168
60	900	14	336

1 1/2" DIA PISTON 100 PSI MAX

STROKE RATE	FULL STROKE OUTPUT		
	ML/MIN	GPH	GPD
01	30	0.5	12
06	180	3	72
12	360	6	144
18	540	9	216
30	900	15	360
60	1800	30	720

2" DIA PISTON 100 PSI MAX

STROKE RATE	FULL STROKE OUTPUT		
	ML/MIN	GPH	GPD
01	60	1	24
06	360	6	144
12	720	12	288
18	1080	18	432
30	1800	30	720
60	3600	60	1440