

FEEDER INSTALLATION

INSTALLATION

The feeder should be installed as close to the boiler or equipment being treated as possible. Figure 1 and Figure 2 are typical installations. Install the feeder in accordance with local plumbing codes or ordinances.

FLUSHING THE FEEDER

Backwash and flush out the feeder prior to every refilling. Close all valves around the feeder, including the flow regulator valve if using a by-pass feeder. Open the drain valve and inlet valve to flush the feeder. Close the drain valve and the inlet valve. If using a by-pass feeder, open the outlet valve and the flow regulator valve completely. Note the setting of the flow regulator valve so it can be returned to this setting after flushing. Open the inlet valve to flush the regulator valve. Close the inlet and outlet valves and return the flow regulator valve to the previous setting.

FILLING AND OPERATION

Close the inlet and outlet valves. Open the drain valve and the fill valve to completely drain the feeder. Close the drain valve. Open the air bleed valve. Fill the feeder through the funnel with the chemical treatment solution. When the feeder is full close the air bleed valve and the fill valve. Open the inlet valve and the outlet valve. The chemical treatment solution will be fed to the boiler or feed system in one slug if using a shot feeder or regulated if using a by-pass feeder. If the feeder has been installed as in Figure 2, the throttling valve will need to be adjusted to force liquid flow through the feeder.

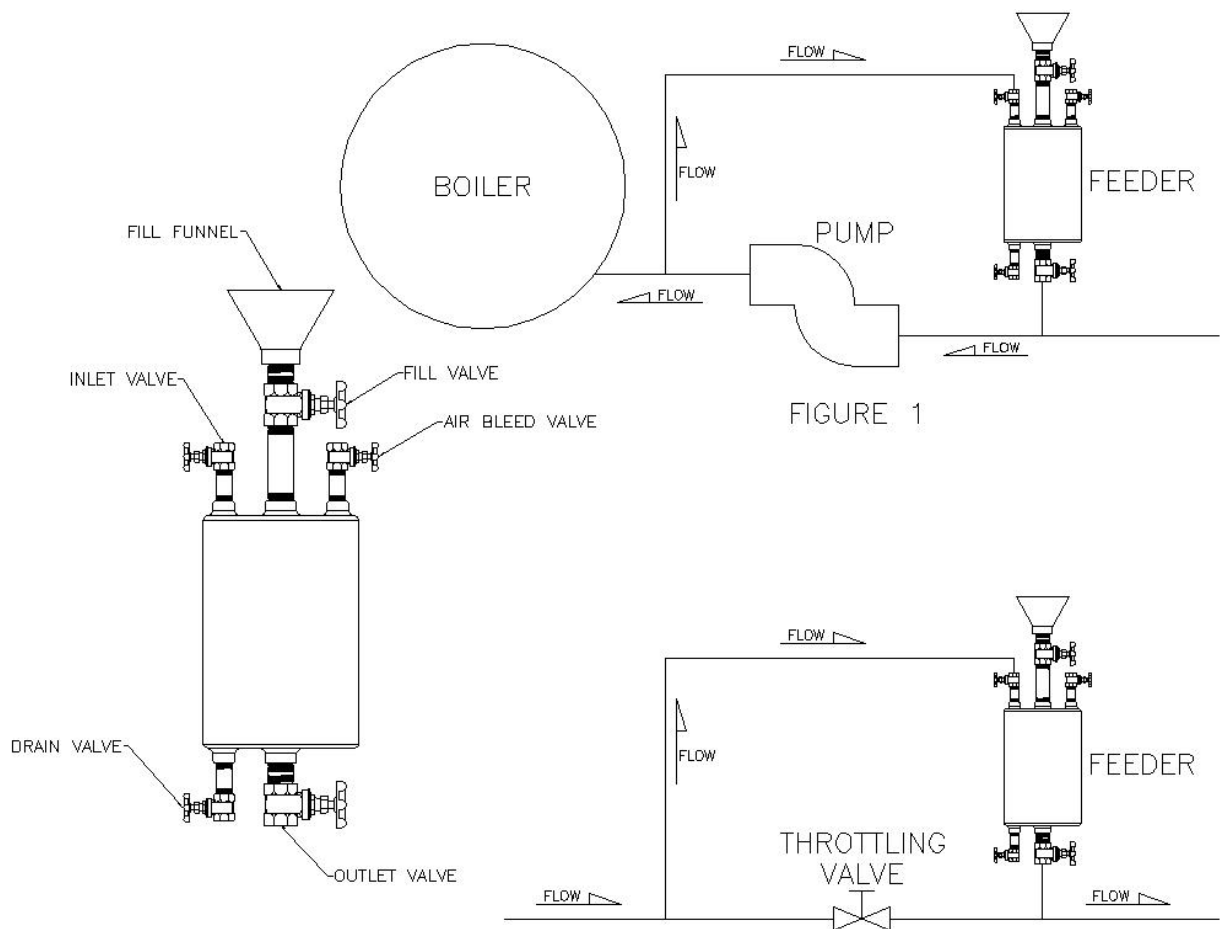
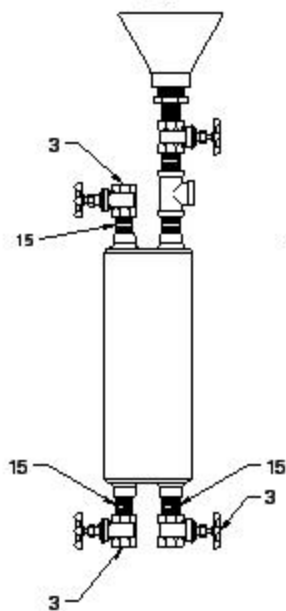


FIGURE 1

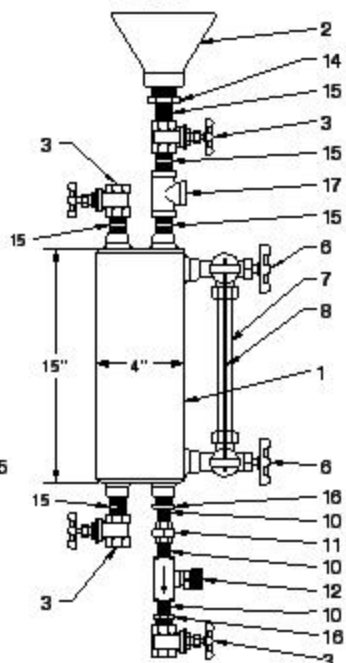
FIGURE 2

3/4 GALLON

SF

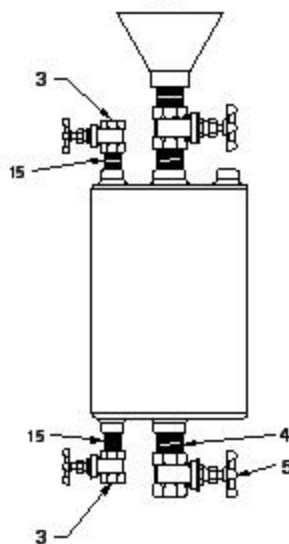


BPF

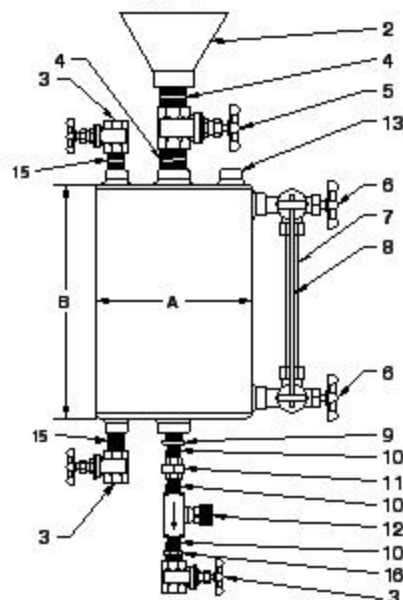


1 GALLON & LARGER

SF



BPF



ORDERING INFO:

SF-2-HP

BLANK	125 PSI RATED VALVING
HP	300 PSI RATED VALVING
BO	BODY ONLY
GALLON CAPACITY	
SF	SHOT FEEDER
BPF	BY-PASS FEEDER

DIMENSIONS		
GALLONS	A	B
1	6"	10"
1 1/2	6"	12"
2	8"	10"
2 1/2	8"	12"
5	10"	15"
10	10"	29"
18	14"	32"
25	18"	28"

#	DESCRIPTION
1	FEEDER BODY
2	POLY FUNNEL
3	1/2" NPT GATE VALVE
4	1" NPT NIPPLE
5	1" NPT GATE VALVE
6	1/2" NPT GAUGE VALVE
7	GAUGE GLASS
8	GLASS GUARDS
9	1" NPT X 3/8" NPT BUSHING
10	3/8" NPT NIPPLE
11	3/8" NPT UNION
12	3/8" NPT NEEDLE VALVE
13	1/2" NPT CONNECTION
14	1" NPT X 1/2" NPT BUSHING
15	1/2" NPT NIPPLE
16	1/2" X 3/8" BUSHING
17	1/2" NPT TEE

5 GALLON & LARGER FEEDERS HAVE THREE 12" LEGS

125 PSI SHOT FEEDER INCLUDES (1) FEEDER BODY, (2) 1" GATE VALVES, (1) POLY FUNNEL, (2) 1/2" GATE VALVES, (3) 1" NIPPLES, (2) 1/2" NIPPLES

BY-PASS FEEDER INCLUDES (1) FEEDER BODY, (1) 1" GATE VALVE, (3) 1/2" GATE VALVES, (1) GAUGE GLASS ASSEMBLY, (1) POLY FUNNEL, (2) 1" NIPPLES, (1) 1" X 3/8" BUSHING, (3) 3/8" NIPPLES, (1) 3/8" UNION, (1) 3/8" NEEDLE VALVE, (1) 1/2" X 3/8" BUSHING, (2) 1/2" NIPPLE

300 PSI SHOT FEEDER INCLUDES (1) FEEDER BODY, (2) 1/2" BALL VALVES, (2) 1/2" NIPPLES, (2) 1" BALL VALVES, (3) 1" NIPPLES, (1) POLY FUNNEL